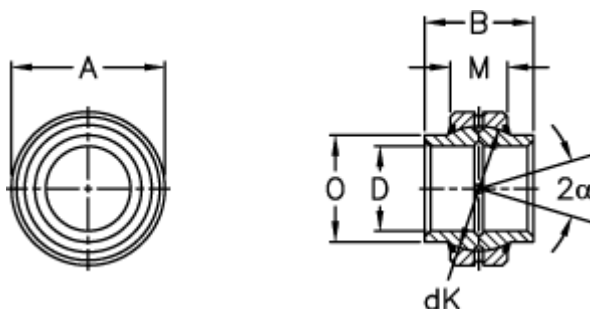


Article number: 03503025

Description: Fluro Rod end GE 25HO-2RS

Measures



A	= 42 0 -0,011	Tilt angle = 3
B	= 29	Weight = 120
D	= 25 0 -0,010	
dK	= 35.5	
Dynamic load C (kN)	= 48	
M	= 16	
O	= 29	
Static load C0 (kN)	= 240	